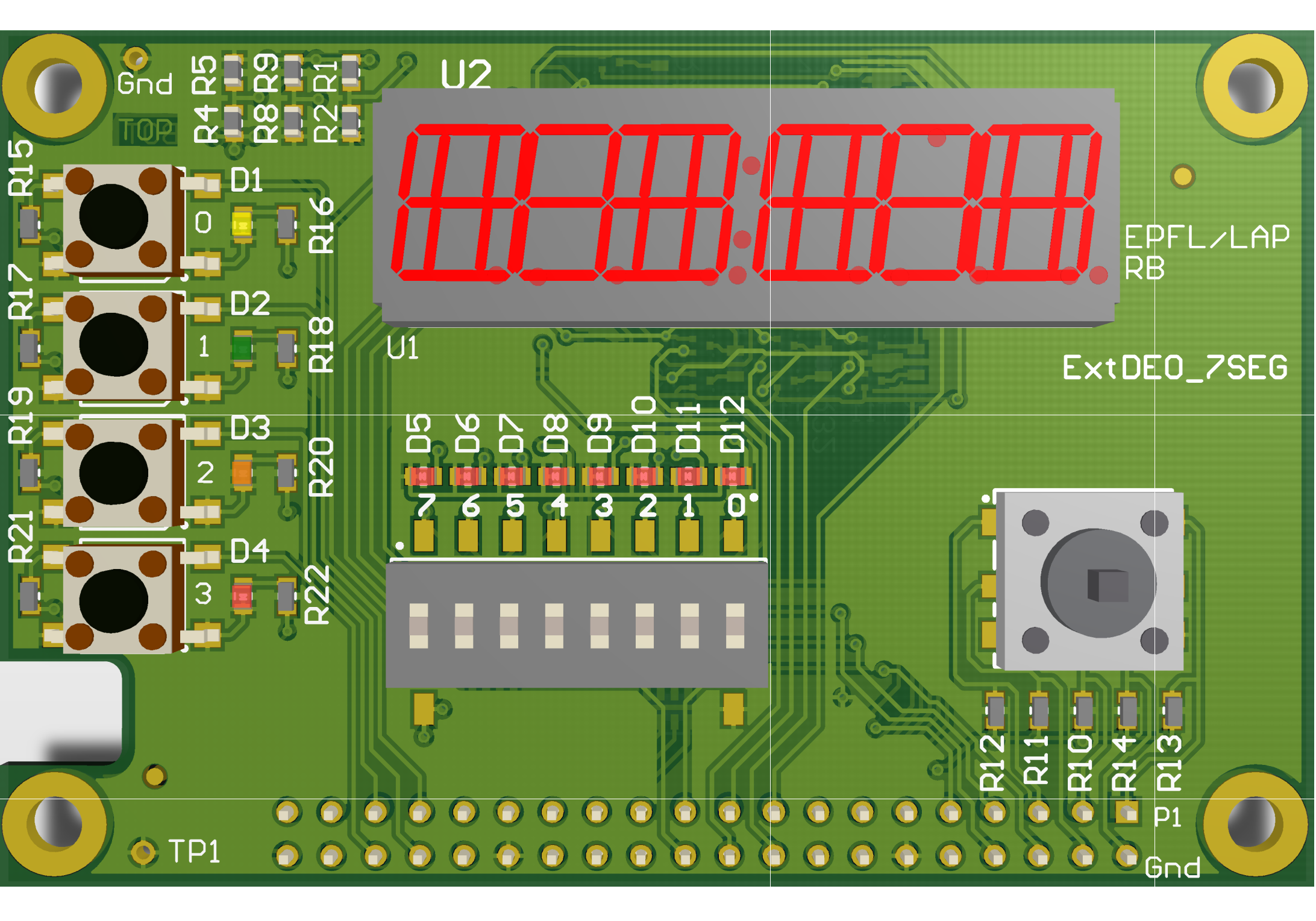


Comment	Description	Designator	Footprint	LibRef	Quantity
LED_Y		D1	D_0603_LED_Y	LED_Y	1
LED_G		D2	D_0603_LED_G	LED_G	1
LED_O		D3	D_0603_LED_O	LED_O	1
LED_R		D4, D5, D6, D7, D8, D9, D10, D11, D12	D_0603_LED_R	LED_R	9
Header 20X2	Header, 20-Pin, Dual row	P1	Header 40p 2x20 hole F, fem Draw	Header 20X2	1
0	Resistor	R1, R2, R4, R5, R8, R9	R_0603-thin	Res2	6
1K	Resistor	R3	R_0603-thin	Res2	1
56	ResNet x4	R6, R7	RESNETX4_0603_3216 M	Rx4_0603_3216M	2
4.7k	Resistor	R10, R11, R12, R13, R14, R15, R17, R19, R21	R_0603	Res2	9
1k	Resistor	R16, R20, R22	R_0603	Res2	3
560	Resistor	R18	R_0603	Res2	1
1k	ResNet x4	R23, R25	ResNetx4_0603_3216M	Rx4_0603_3216M	2
330	ResNet x4	R24, R26, R27, R28	ResNetx4_0603_3216M	Rx4_0603_3216M	4
100	Resistor	R29, R30, R31, R32, R33, R34	R_0603-thin	Res2	6
SKQUDBE010	SKQUDBE010-ALPS	S1	SKQUDBE010	Joystick_5P	1
PushButton1_4p	[NoValue], [NoValue], [NoValue], PushButton	S2, S3, S4, S5	FSM4JSMA	PushButton1_4p	4
Switch8p_On_Tri_On		S6	SOP254P990X265-16N	Switch8p_On_Tri_On	1
pMOS		T1, T2, T3, T4, T5, T6	SSSMINI3-F2-B	pMOS	6
nMOS		T7, T8, T9, T10, T11, T12, T13, T14, T15, T16, T17, T18, T19, T20	SSSMINI3-F2-B	nMOS	14
TP		TP1, TP2	TP_0.75mm	TP	2
7SEG_6Digit_KEM-3061- ASR		U1	7SEG_6DIGI_7.68MM	7SEG_6Digit_KEM-3061- ASR	1
7SEG_4Digit_LTC4627JR	7SEG 4DIGI Annode Com	U2	7SEG_4DIGI_10MM_LTC	7SEG_4Digit_LTC4627JR	1



Gnd

TOP

R4 R5
R8 R9
R2 R1

U2

EPFL/LAP
RB

ExtDE0_7SEG

R15
R17
R19
R21

D1
D2
D3
D4

R16
R18
R20
R22

U1

D5
D6
D7
D8
D9
D10
D11
D12

7
6
5
4
3
2
1
0

TP1

R12
R11
R10
R14
P1
R13

Gnd

BOT

EPFL/LAP
ExtDE0_7SEG
RB RevA 01/2013

R34 T12
T6
R29 T7
T1

T17
T18
T19
T20

R7

R6

T13
T14
T15
T16

T5 T4 T3 T2
T9 T8
R33 T11 R32 T10 R31 R30

R28

R27

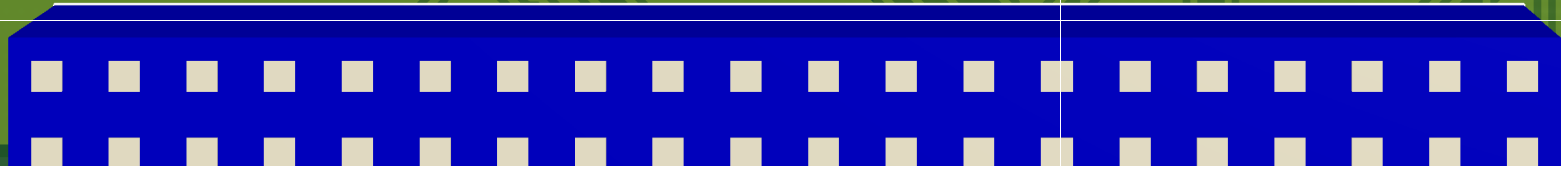
R25

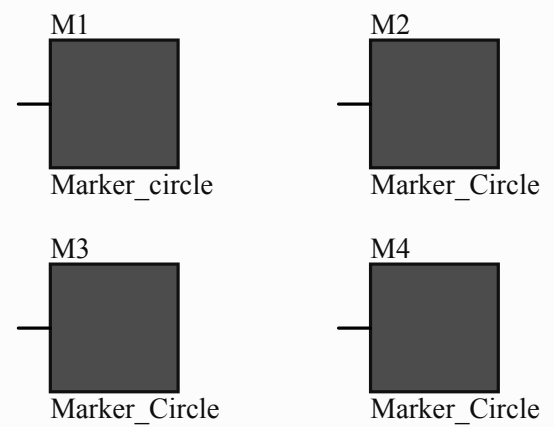
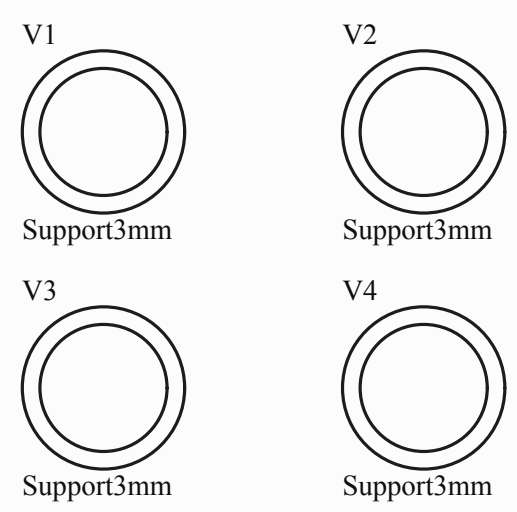
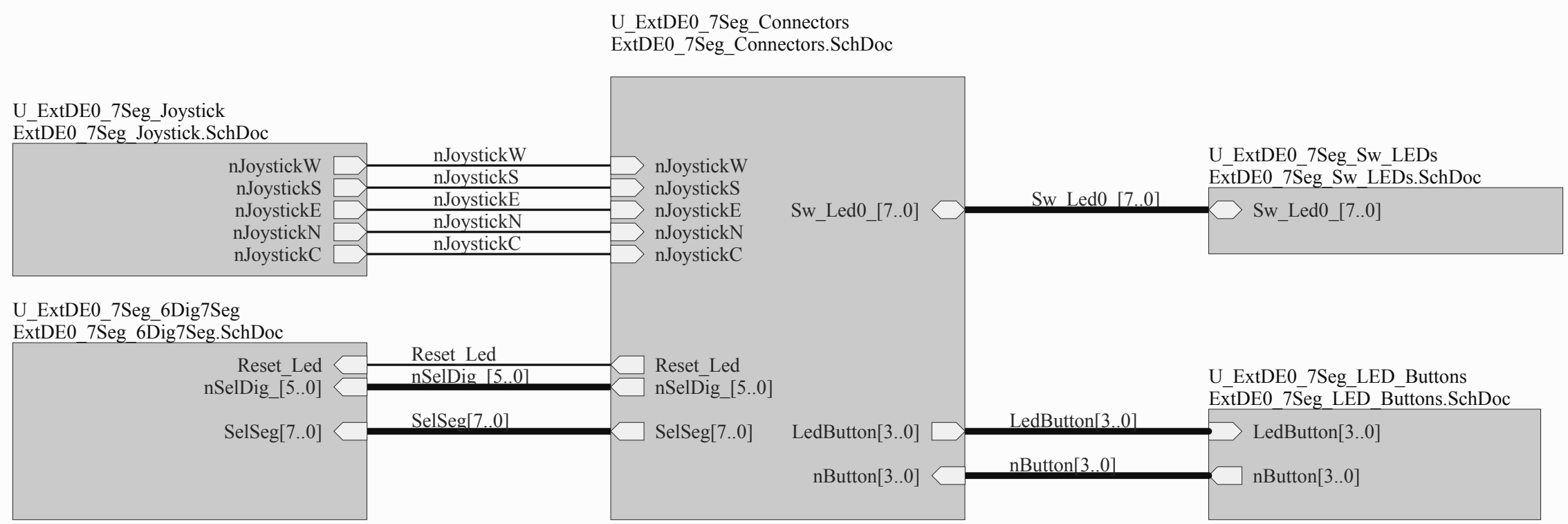
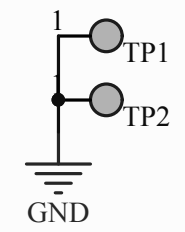
R23

R26

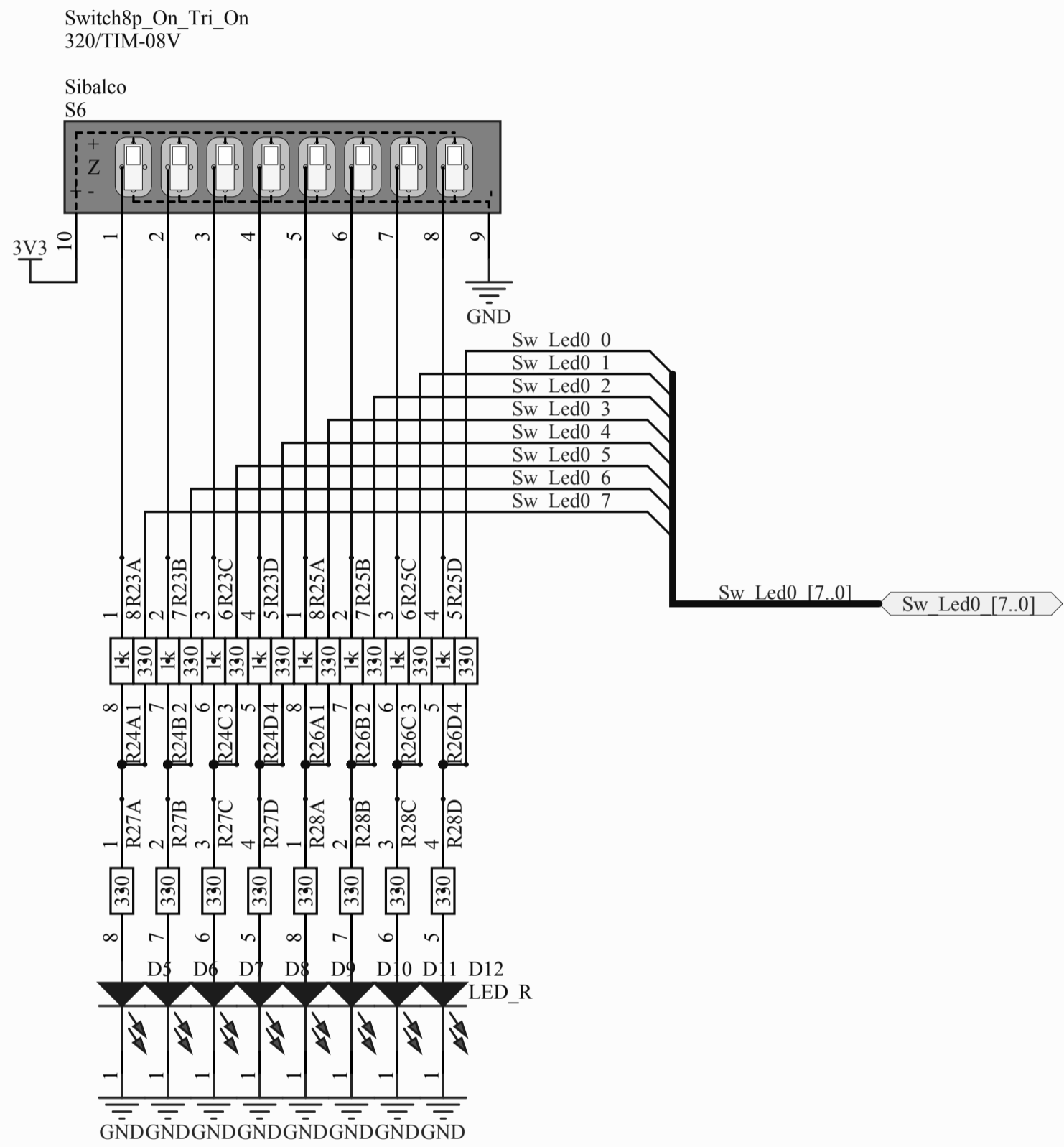
R24

R3





Title Extension DE0 7Seg, LED, Switches & others			EPFL/LAP K.Beuchat * * *	
Size: A4	Number: *	Revision: A		
Date: 16.01.2013	Time: 18:51:21	Sheet 1 of 6		
File: C:\Beuchat local\Dropbox\Developpements\DE0Ext_7Seg\Altium_ExtDE0_7Seg\ExtDE0_7Seg_top.SchDoc				

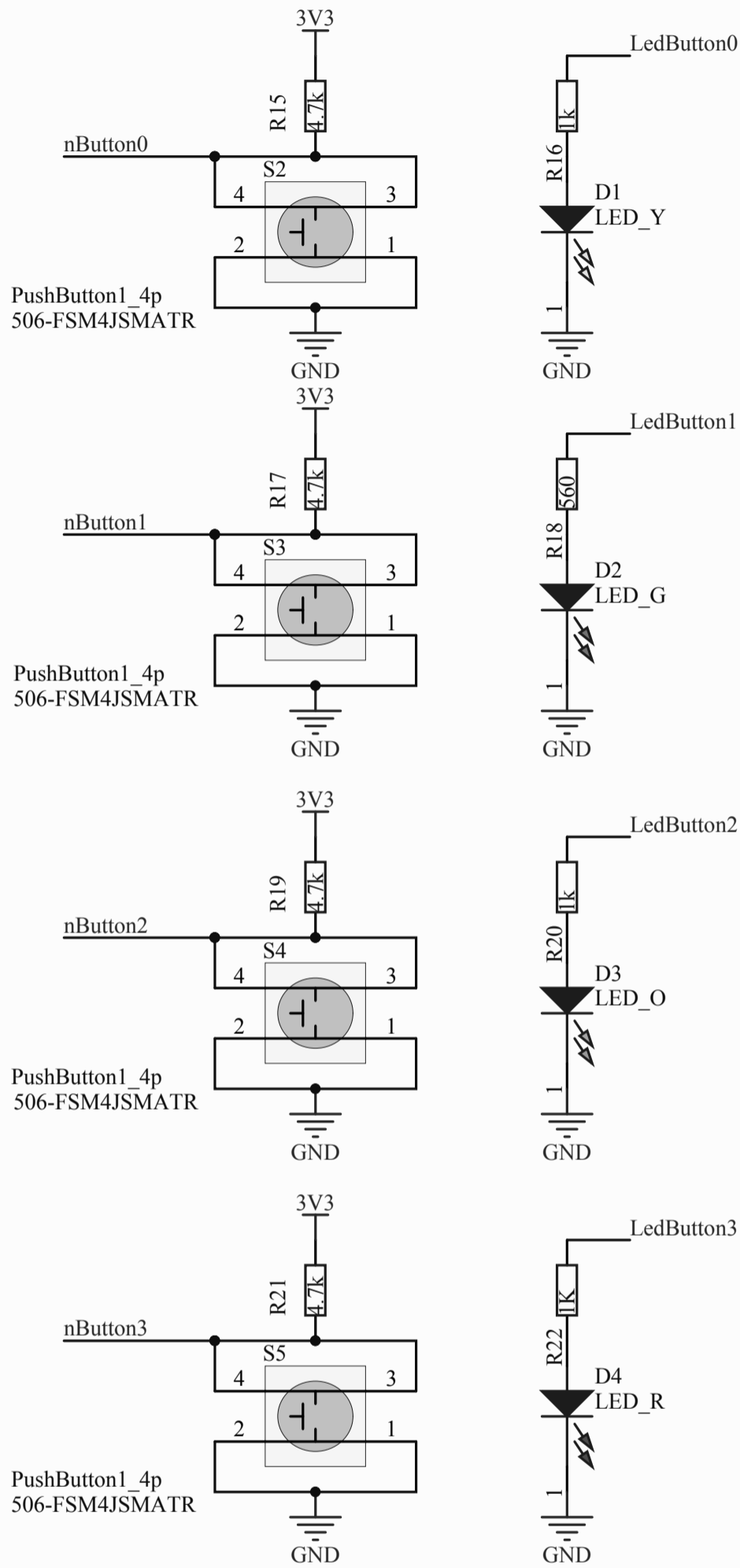


Title Extension DE0 LED, Switches & others			EPFL/LAP R.Beuchat
Size: A4	Number:*	Revision:A	*
Date: 16.01.2013	Time: 18:51:21	Sheet2 of 6	*
File: C:\Beuchat local\Dropbox\Developpements\DE0Ext 7Seg\Altium ExtDE0 7Seg\ExtDE0 7Seg Sw LEDs.SchDoc			*



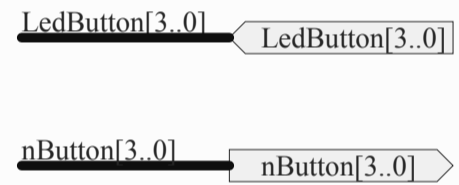
A

A



B

B

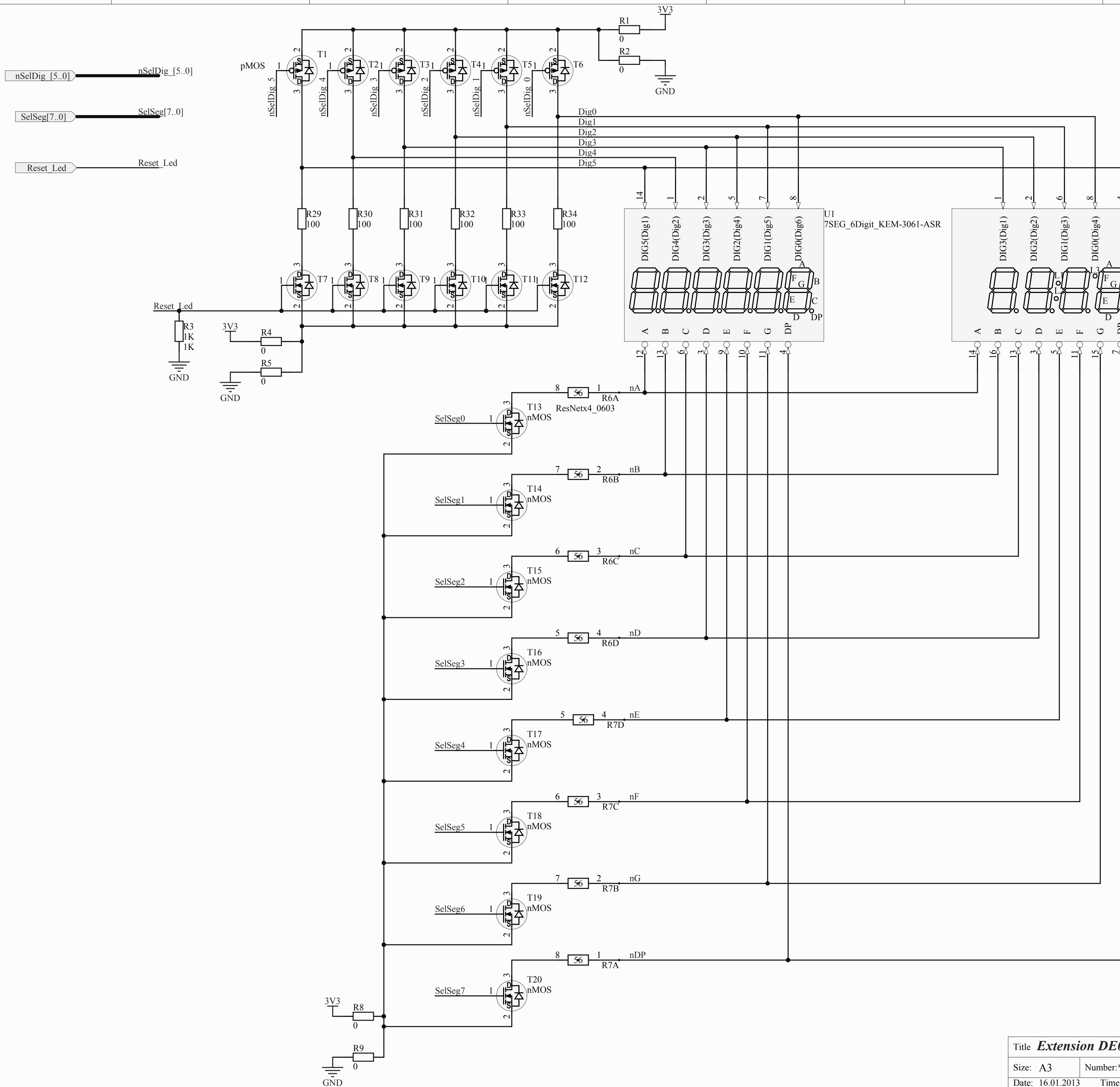


C

C

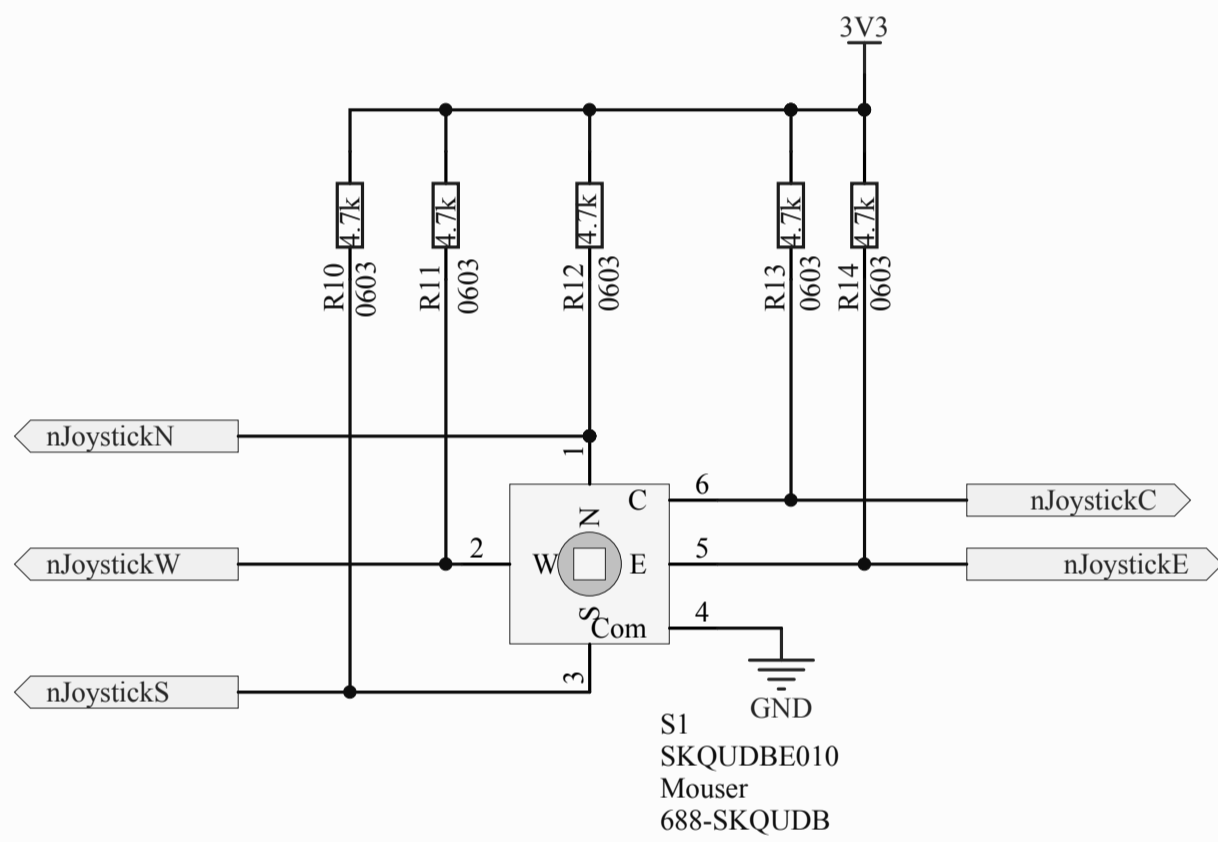
D

D




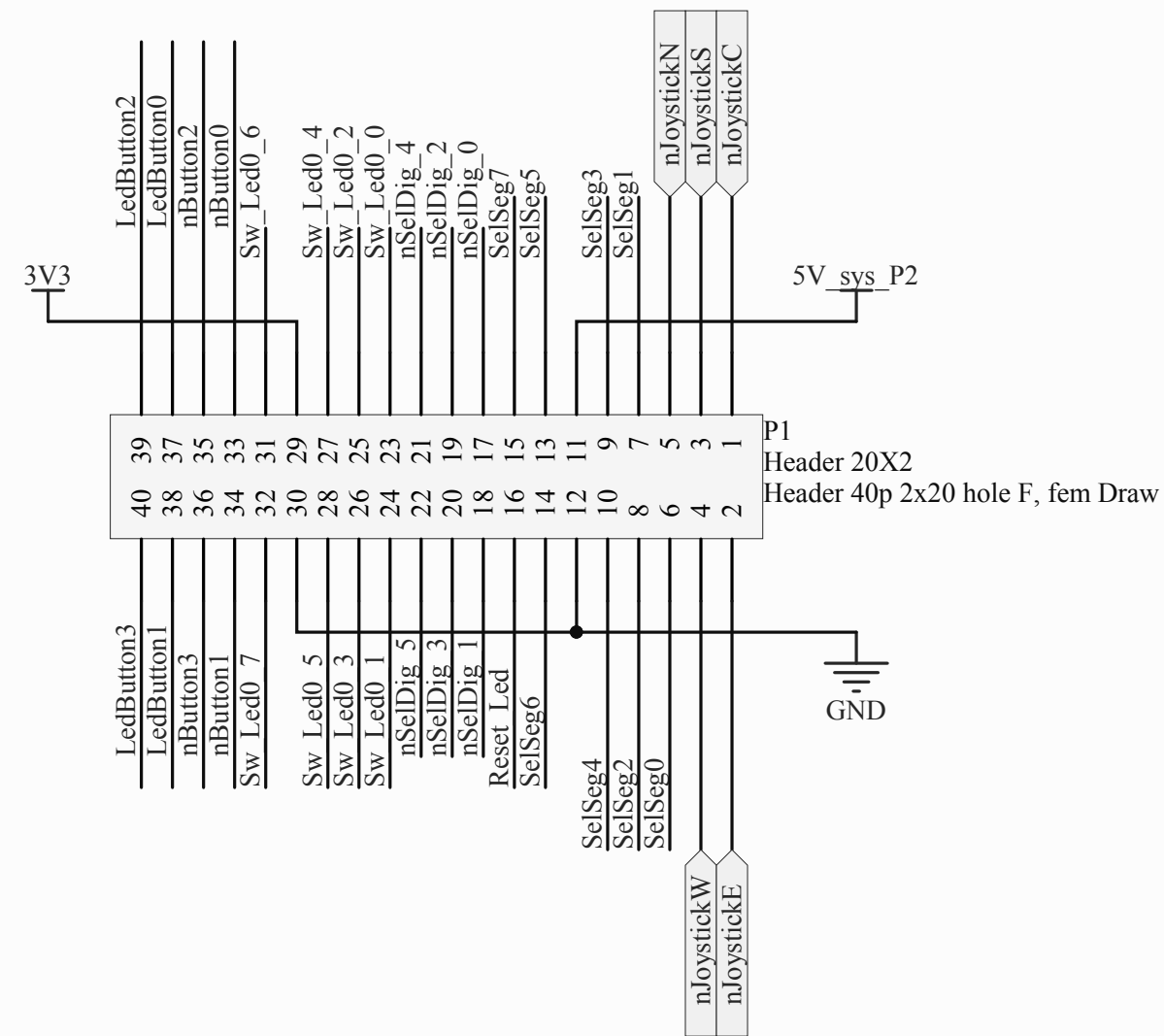
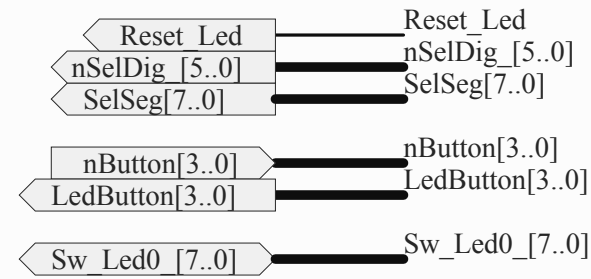
Attention:

- 6 digits use multiplexed A, B, C, D, E, F, G, DP segments
- A Reset transistor is added on each Digit selection to not have a problem of capacitor load and bad led lightning
- IT MUSST NOT be activated at the same time as the Digit selection !
- As we could have Cathode or Anaode common for the DIGIT, nMos or pMOS transistor have to be mounted corectly
- The Reset are nMOS Tr --> Active high
- The column selection is with pMOS Tr --> active low
- The segment selection is with nMOS --> active high
- All the Digits transistors have to be activated one at a time.
- With the selected digit, the Segment to highlith have to be activated
- As the 6 digits are not yet available (2013/1/13), a 4 digit version is put in parallel
- A reset has to be done between each digit access.



Correction of joystick pinning, RB 2012/08/28
 R 4.7k
 Correction Joystick PinName EW --> WE, RB
 2012/9/25

Title Extension DE0 LED, Switches & others			LAP/EPFL R.Beuchat
Size: A4	Number:*	Revision:B	 ÉCOLE POLYTECHNIQUE FÉDÉRALE DE LAUSANNE
Date: 16.01.2013	Time: 18:51:21	Sheet5 of 6	
File: C:\Beuchat local\Dropbox\Developpements\DE0Ext 7Seg\Altium ExtDE0 7Seg\ExtDE0 7Seg_Joystick.SchDoc			



Title Extension DE0 7Seg, Switches & others			EPFL/LAP R.Beuchat
Size: A4	Number:*	Revision:1.0	*
Date: 16.01.2013	Time: 18:51:21	Sheet 6 of 6	*
File: C:\Beuchat local\Dropbox\Developpements\DE0Ext 7Seg\Altium ExtDE0 7Seg\ExtDE0 7Seg Connectors.SchDoc			

